

/ **DLT-V6210**

Catalog



Accessories DLT-V6210

- / Keyboards
- / Scanner
- / Touch stylus
- / Terminal mountings
(mounting brackets, RAM)
- / Antennas

Catalog V1.10

The software and hardware designations as well as the brand names used in this catalog are in most cases also registered trademarks and are subject to the international law (trademark, brand and protection laws).

RAM® and RAM Mount™ are both trademarks of National Products Inc., 1205 S. Orr Street, Seattle, WA 98108.

We recognize all national and international trademarks and product names.

We reserve the right to modify the contents of this catalog at any time and without prior notice.

DLoG GmbH assumes no liability for technical inaccuracies, typographic errors or faults in this catalog.

DLoG GmbH also assumes no liability for damages caused directly or indirectly by the delivery, performance or usage of this material.

This catalog is protected by copyright. Duplication, in whole or in part, is not permitted without prior written approval of DLoG GmbH.

Title:	DLT-V6210 Accessories Catalog
Completed on:	2/27/2017
Version:	V1.10

© Copyright 2017
By DLoG GmbH
Industriestraße 15
D-82110 Germering
All rights reserved

Phone: (+49) 89 / 41 11 91 0
Mail: info@advantech-dlog.com
Internet: www.advantech-dlog.com

1.	KEYBOARDS WITH MOUNTING.....	4
1.1.	SMALL Keyboard.....	4
1.1.1.	Front Mounting.....	5
1.2.	24-Key Keyboard.....	6
1.2.1.	Front Mounting.....	7
2.	SCANNERS WITH MOUNTING	8
2.1.	Scanners.....	8
2.2.	Mounting right.....	8
3.	STYLUS WITH MOUNTING	9
4.	TERMINAL MOUNTINGS.....	10
4.1.	Operation classes 5M3, 5M2 and 5M1.....	10
4.2.	Mounting brackets / adapters	11
4.2.1.	Mounting bracket 15° tilt	11
4.2.2.	Clamp mount adapter high.....	12
4.2.3.	Clamp mount adapter low	13
4.2.4.	Clamp mount small	14
4.2.5.	Clamp mount maxi	14
4.3.	Wall adapter.....	15
4.4.	RAM-Mount.....	16
4.4.1.	RAM-Mount short, 2.25" (1 Arm 130 mm).....	16
4.4.2.	RAM-Mount long, 2.25" (1 Arm 215 mm).....	17
4.4.3.	RAM Mount long, 1,5" (1 Arm 130 mm).....	18
4.4.4.	RAM-Mount double, 1,5" (2 arms 150 mm).....	19
4.4.5.	RAM Mount short, 2.25" (1 Arm 130 mm / tube mounting).....	20
4.4.6.	RAM Mount long, 2.25" (1 Arm 215 mm / tube mounting)	21
4.4.7.	RAM Mount long, 1,5" (1 Arm 150 mm / tube mounting)	22
4.4.8.	RAM-Mount double, 1,5" (2 arms 150 mm / tube mounting).....	23
5.	ANTENNAS	24
5.1.	Integrated and remote solutions	24
5.2.	Integrated Low Profile Wi-Fi antenna with diversity.....	25
5.3.	External Wi-Fi antenna kit, remote	26
5.4.	External GPS receiver	27

1. KEYBOARDS WITH MOUNTING

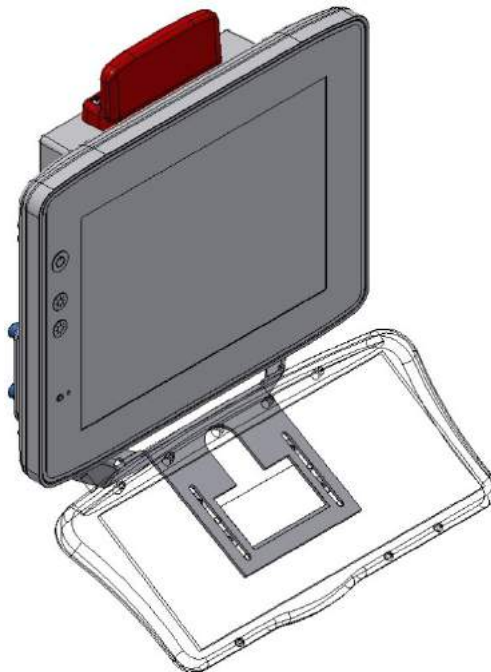
1.1. SMALL Keyboard



Technical data / Order number	
Application	For raw industrial environment and vehicles. Suitable for operation with gloves. Outstanding haptics and tactility.
Housing material	Plastic
Dimensions	Height 298 mm, width 142 mm, depth 22 mm
Cable length, tablet version	180 cm
Cable length, mounted version	60 cm
Number of keys	86, integrated mouse function
Keys service life	At least 1 million switching cycles
Key switching force	0.6 N
Key switching distance	1.5 mm
Connection	USB
Operating voltage	5 V
Current consumption	10 mA
IP protection class/category	IP65
Operating temperature	-10 to +60 °C
Storage temperature	-40 to +80 °C

Technical data / Order number	
Delivery contents	Including USB connection cable
Order numbers	German (QWERTZ): DL-CKBSM65409700 English (QWERTY): DL-CKBSM65409800 French (AZERTY): DL-CKBSM65409300

1.1.1. Front Mounting



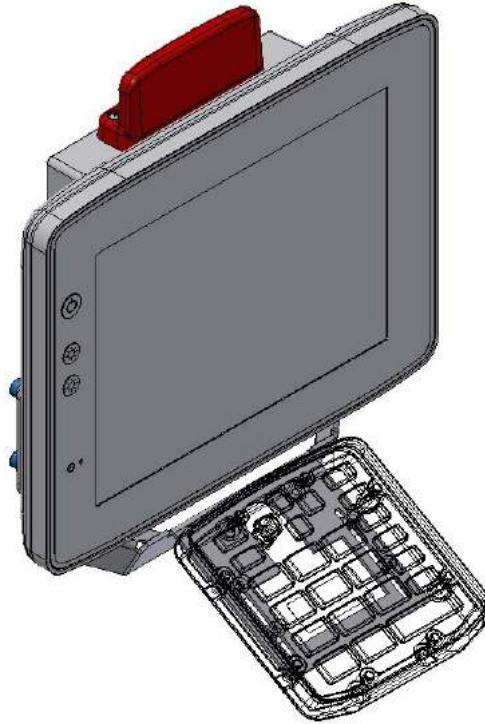
Technical data / Order number	
Application	For raw industrial environment and vehicles
Vibration/shock resistance	5M3
Material	Steel St 37-2 powder coated
Delivery contents	Including screws for attachment to the terminal
Order number	DL-MEMS70109900

1.2. 24-Key Keyboard



Technical data / Order number	
Application	For raw industrial environment and vehicles. Suitable for operation with gloves. Outstanding haptics and tactility.
Housing material	Coated aluminum
Dimensions	Height 132 mm, Width 132 mm, Depth 24 mm
Weight	0.5 kg
Cable length	50 cm
Number of keys	24
Keys service life	At least 1 million switching cycles
Key switching force	2.0 N
Key switching distance	1.5 mm
Key press technology	Sealed direct press
Connection	USB
Supply voltage	5 V
IP protection	IP65
Operating temperature	-10 to +60 °C
Storage temperature	-35 to +80 °C
Delivery contents	USB connection cable included
Order number	DL-KBXX65409200

1.2.1. Front Mounting



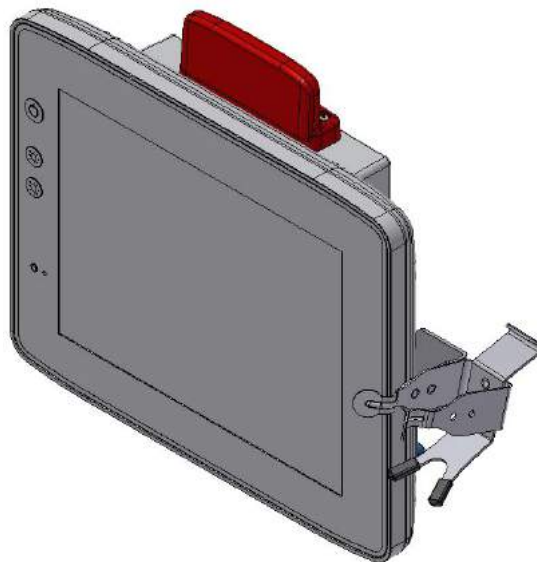
Technical data / Order number	
Application	For raw industrial environment and vehicles
Vibration/shock resistance	5M3
Material	Steel St 37-2 powder coated
Delivery contents	Mounting Screws for attachment to the terminal
Order number	DL-MEMS70109900

2. SCANNERS WITH MOUNTING

2.1. Scanners

Please contact your Advantech-DLoG sales representative if needed.

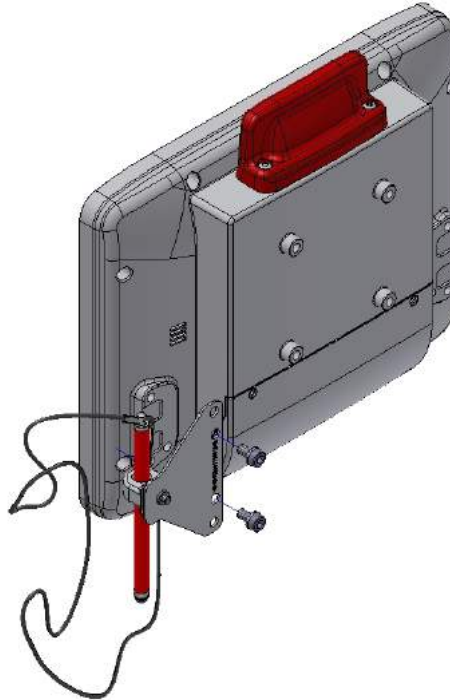
2.2. Mounting right



Technical data / Order number	
Application	For raw industrial environment and vehicles
Vibration/shock resistance	5M3
Material	Steel St 37-2 powder coated
Delivery contents	Mounting Screws for attachment to the terminal
Order number	DL-MEMS70109801

3. STYLUS WITH MOUNTING

Example mounting right:



Technical data / Order number	
Application	For raw industrial environment and vehicles
Material (mounting)	Steel St 37-2 powder coated
Delivery contents	Stylus Mounting with elastic band (anti-loss) Screws for attachment to the terminal
Order number mounting left:	DL-MEMT79388700
Order number mounting right:	DL-MEMT79388300

4. TERMINAL MOUNTINGS

4.1. Operation classes 5M3, 5M2 and 5M1

This catalog shows the mounting solutions for the DLT-V6210 Industrial PC.

It specifies whether the listed mounting solutions are suitable for mobile use, restricted mobile use or stationary use.

These uses correspond to the operation classes 5M3, 5M2 and 5M1 for mechanical environmental conditions.

The following standards offer a practical means of reference:

- DIN EN 60721-3-5: 1998 classification of environmental conditions, part 3, section 5: Use on and in ground vehicles.
- Military standard MIL-STD 810F: 2000.

5M3: Mobile use

Operational environments with **high** energy vibrations and **high** energy shocks as well as **rough** handling/transport compliant with:

- Operation class **5M3** according to DIN EN 60721-3-5 or equivalent.
- Category **US Highway Truck** according to MIL-STD 810F.
- Examples: Vehicles without shock absorption: Forklifts, unbalanced machines: Combustion engine of a construction machine.

5M2: Restricted mobile use

Operational environments with **low** energy vibrations and **high** energy shocks as well as **careful** handling/transport compliant with:

- Operation class **5M2** according to DIN EN 60721-3-5 or equivalent.
- Category **US Highway Truck** according to MIL-STD 810F.
- Examples: Vehicles with shock absorption: Driver's cab in a tractor, standing machines: Machine tools.

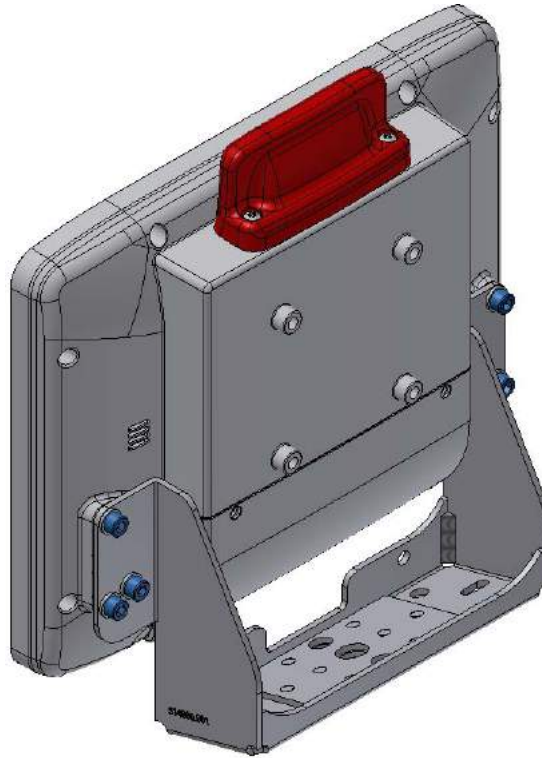
5M1: Stationary use

Operational environments with **low** energy vibrations and **medium** energy shocks as well as **very careful** handling/transport compliant with:

- Operation class **5M1** according to DIN EN 60721-3-5.
- Examples: Vehicles with very good shock absorption: Car dashboard, immobile mounting surfaces: Desk or wall.

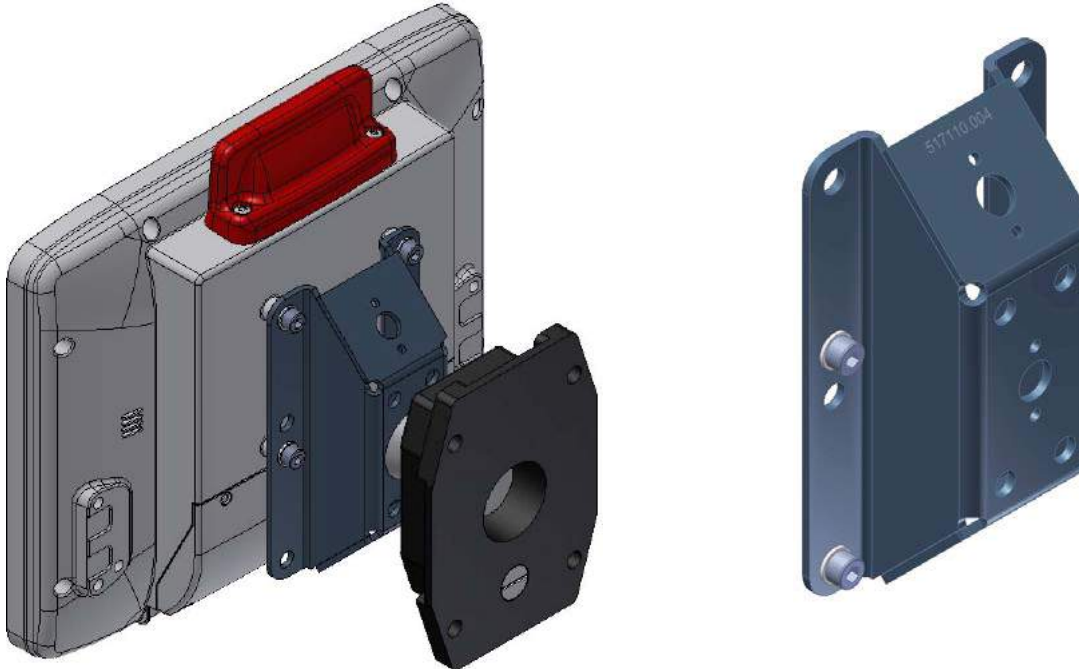
4.2. Mounting brackets / adapters

4.2.1. Mounting bracket 15° tilt



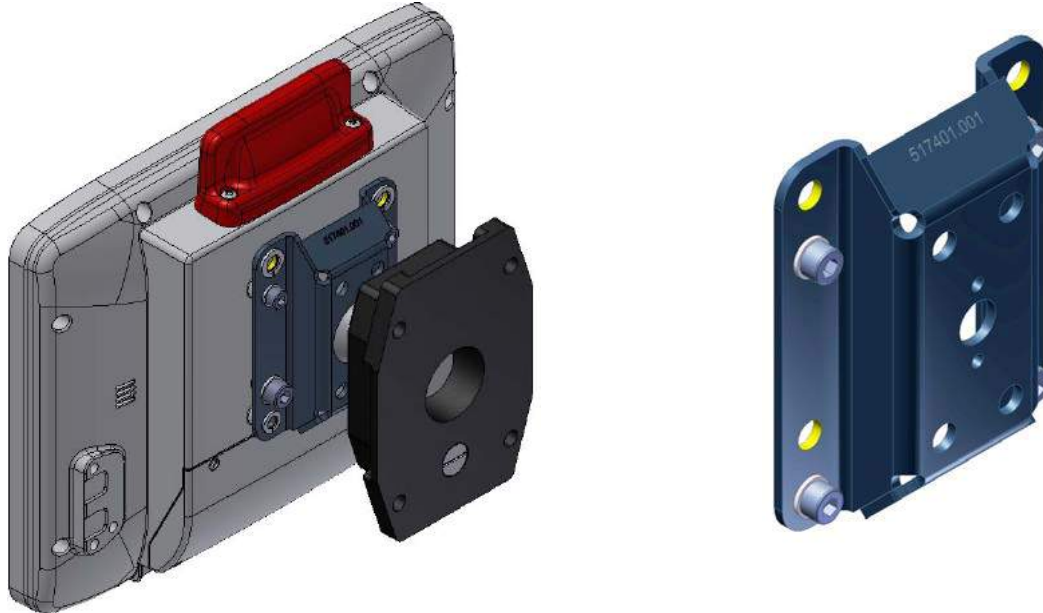
Technical data / Order number	
Application	For raw industrial environment and vehicles
Tilt	15°
Vibration/shock resistance	Suitable for mobile use according to class 5M3
Material	Steel St 37-2 powder coated
Delivery contents	Mounting Screws for attachment to the terminal
Order number	DL-CMENT70109500

4.2.2. Clamp mount adapter high



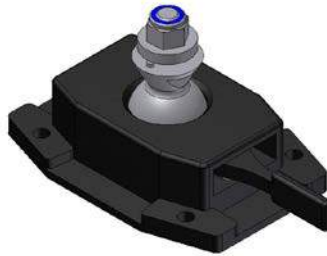
Technical data / Order number	
Application	The clamp mount adapter high is always combined with a clamp mount.
Vibration/shock resistance	Suitable for mobile use according to class 5M3
Delivery contents	Clamp mount adapter high Screws for attachment to the terminal (VESA drill holes)
Order number	DL-CMEMT70123400
Required clamp mount	Small: DL-CMECF51029001 Big: DL-CMECF51029100

4.2.3. Clamp mount adapter low



Technical data / Order number	
Application	The clamp mount adapter high is always combined with a clamp mount.
Vibration/shock resistance	Suitable for mobile use according to class 5M3
Delivery contents	Clamp mount adapter high Screws for attachment to the terminal (VESA drill holes)
Order number	DL-MEMT70123500
Required clamp mount	Small: DL-CMECF51029001 Maxi: DL-CMECF51029100

4.2.4. Clamp mount small



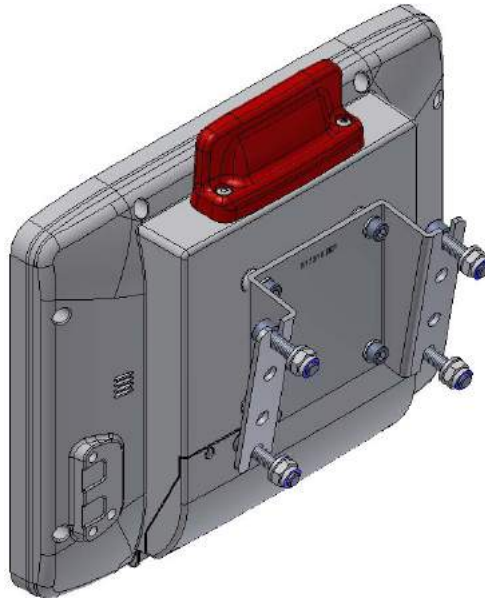
Technical data / Order number	
Application	With the clamp mount combined with an Advantech-DLoG mounting bracket the DLT-V6210 can be mounted. Both together enable you to attach the terminal freely swiveled and flexible positioned.
Vibration/shock resistance	Suitable for mobile use according to class 5M3
Delivery contents	Clamp mount small
Order number	DL-CMECF51029001

4.2.5. Clamp mount maxi



Technical data / Order number	
Application	With the clamp mount combined with an Advantech-DLoG mounting bracket the DLT-V6210 can be mounted. Both together enable you to attach the terminal freely swiveled and flexible positioned.
Vibration/shock resistance	Suitable for mobile use according to class 5M3
Delivery contents	Clamp mount maxi
Order number	DL-CMECF51029100

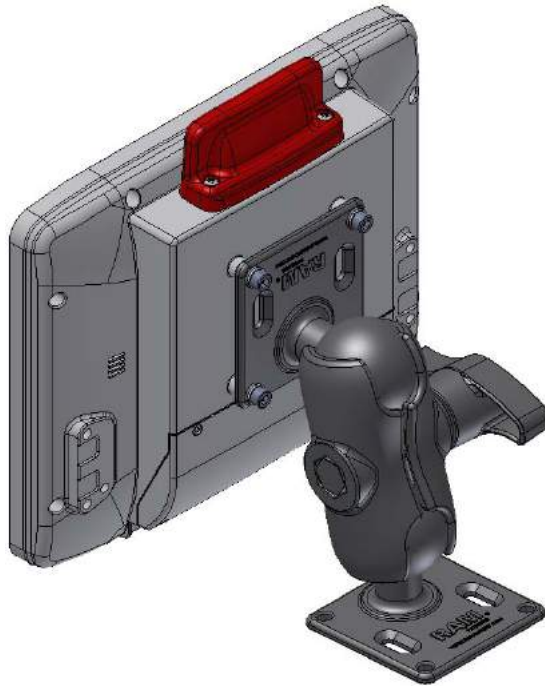
4.3. Wall adapter



Technical data / Order number	
Application	The wall adapter is used for a stationary mounting of the DLT-V6210. There are two different screw set available: <ul style="list-style-type: none"> – For wall thickness up to 17 mm – For wall thickness from 27 mm to 37 mm
Vibration/shock resistance	Suitable for mobile use according to class 5M3
Delivery contents	Screws for attachment to the terminal (VESA drill holes) Screw set: M8x30 / M8x50 (optional)
Order numbers	DL-CMEMT70124400 <ul style="list-style-type: none"> – For wall thickness up to 17 mm – Incl. Screw Set M8x30 DL-CMEMT70126000 <ul style="list-style-type: none"> – For wall thickness from 27 mm to 37 mm – Incl. Screw Set M8x50

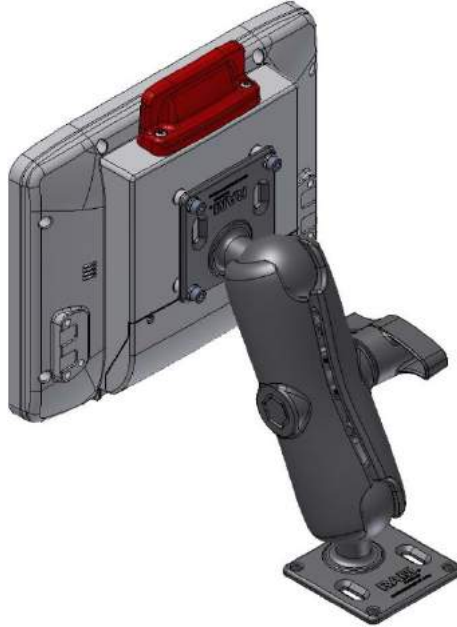
4.4. RAM-Mount

4.4.1. RAM-Mount short, 2.25" (1 Arm 130 mm)



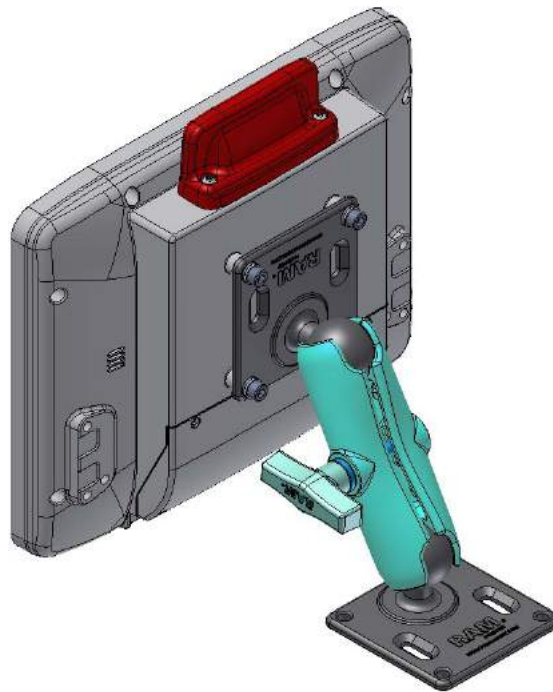
Technical data / Order number	
Application	For raw industrial environment and vehicles
Vibration/shock resistance	Suitable for mobile use according to class 5M3
Delivery contents	RAM mounting <ul style="list-style-type: none"> – Ball 2.25" (with plate) – 1 arm – Arm length 130 mm Screws for attachment to the terminal
Order number	DL-CMENT70129800

4.4.2. RAM-Mount long, 2.25" (1 Arm 215 mm)



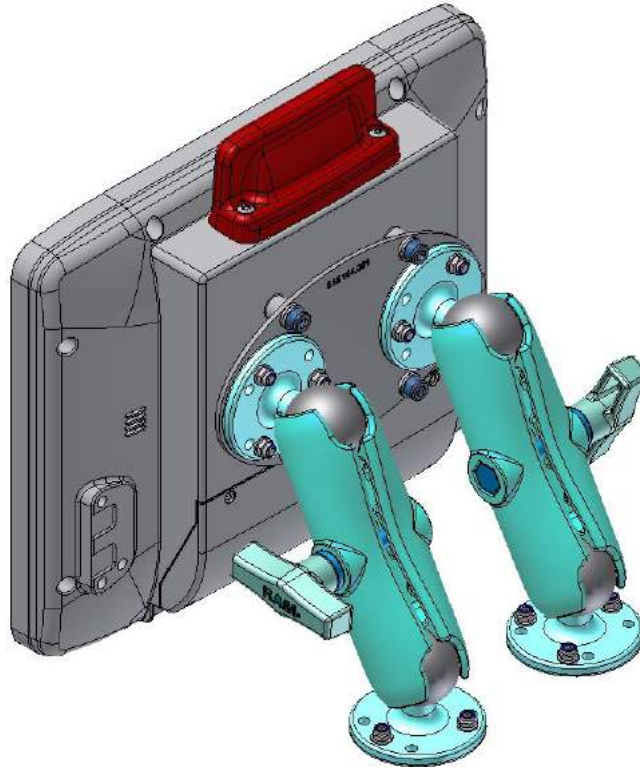
Technical data / Order number	
Application	For raw industrial environment and vehicles
Vibration/shock resistance	Suitable for mobile use according to class 5M3
Delivery contents	RAM mounting <ul style="list-style-type: none"> – Ball 2.25" (with plate) – 1 arm – Arm length 215 mm – Screws for attachment to the terminal
Order number	DL-CMEMT70129700

4.4.3. RAM Mount long, 1,5" (1 Arm 130 mm)



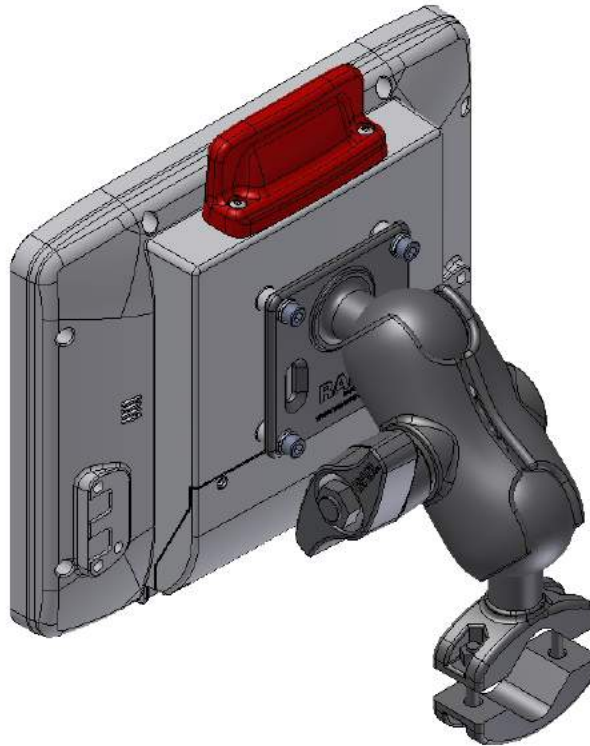
Technical data / Order number	
Application	For raw industrial environment and vehicles
Vibration/shock resistance	Suitable for mobile use according to class 5M3
Delivery contents	RAM mounting <ul style="list-style-type: none"> – Ball 1,5" (with plate) – 1 arm – Arm length 130 mm Screws for attachment to the terminal
Order number	DL-CMENT70124000

4.4.4. RAM-Mount double, 1,5" (2 arms 150 mm)



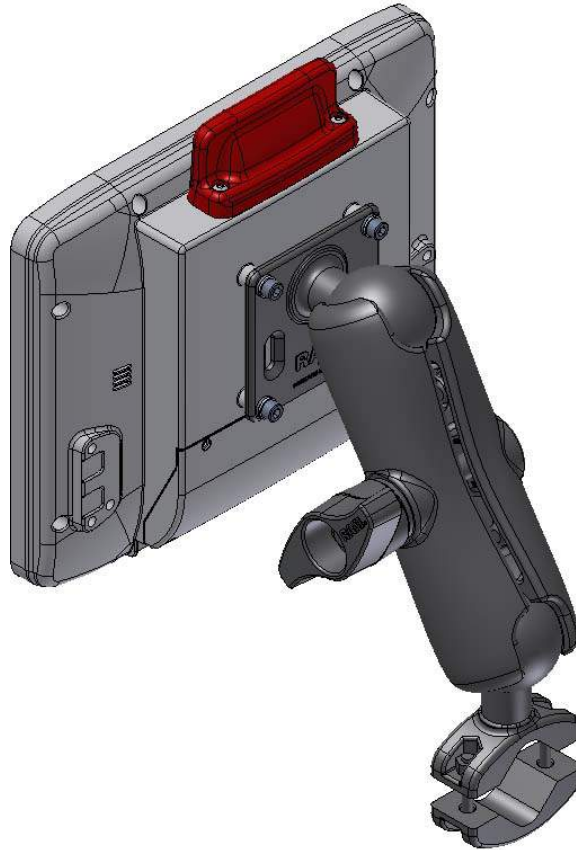
Technical data / Order number	
Application	For raw industrial environment and vehicles
Vibration/shock resistance	Suitable for mobile use according to class 5M3
Delivery contents	RAM mounting – Ball 1.5" – 2 arms – Arm length 150 mm Screws for attachment to the terminal
Order number	DL-BMEMT70146300

4.4.5. RAM Mount short, 2.25" (1 Arm 130 mm / tube mounting)



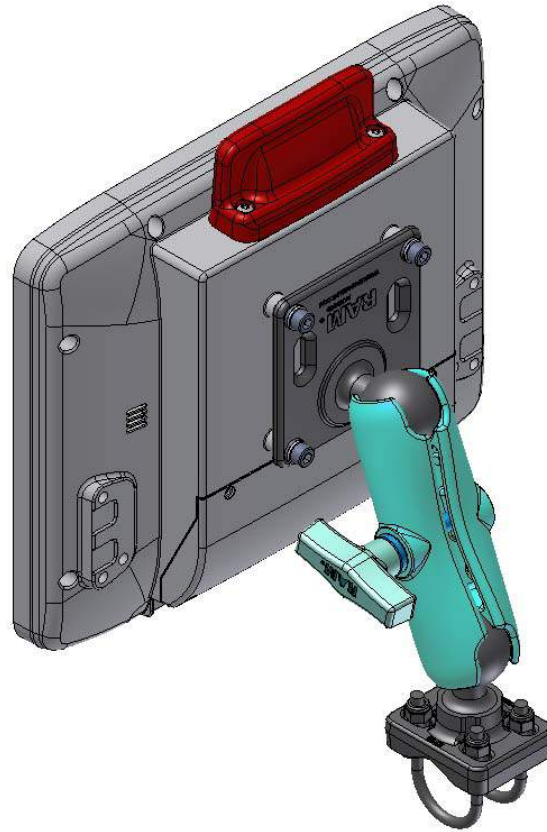
Technical data / Order number	
Application	This mounting is used to assemble the terminal to a tube.
Vibration/shock resistance	Suitable for mobile use according to class 5M3
Tube Diameter	1 1/4" to 1 7/8"
Delivery contents	RAM mounting <ul style="list-style-type: none"> – Ball 2,25" – 1 arm – Arm length 130 mm – For tube mounting Screws for attachment to the terminal
Order number	DL-CMEMT70130800

4.4.6. RAM Mount long, 2.25" (1 Arm 215 mm / tube mounting)



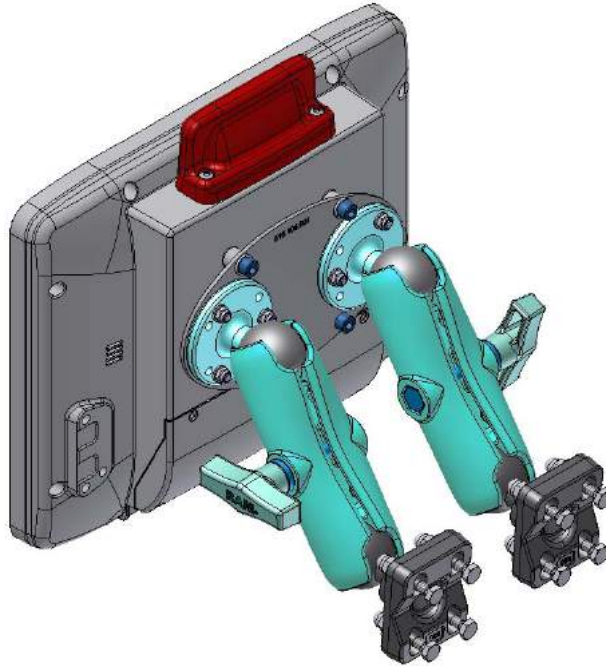
Technical data / Order number	
Application	This mounting is used to assemble the terminal to a tube.
Vibration/shock resistance	Suitable for mobile use according to class 5M3
Tube Diameter	1 1/4" to 1 7/8"
Delivery contents	RAM mounting <ul style="list-style-type: none"> – Ball 2,25" – 1 arm – Arm length 215 mm – For tube mounting Screws for attachment to the terminal
Order number	DL-CMEMT70130800

4.4.7. RAM Mount long, 1,5" (1 Arm 150 mm / tube mounting)



Technical data / Order number	
Application	This mounting is used to assemble the terminal to a tube.
Vibration/shock resistance	Suitable for mobile use according to class 5M3
Tube Diameter	1,25"
Delivery contents	RAM mounting <ul style="list-style-type: none"> – Ball 1,5" – 1 arm – Arm length 150 mm – For tube mounting Screws for attachment to the terminal
Order number	DL-CMEMT70128200

4.4.8. RAM-Mount double, 1,5" (2 arms 150 mm / tube mounting)



Technical data / Order number	
Application	This mounting is used to assemble the terminal to a tube.
Vibration/shock resistance	Suitable for mobile use according to class 5M3
Tube Diameter	1,25"
Delivery contents	RAM mounting: – Ball 1.5" – 2 arms – Arm length 150 mm – For tube mounting Screws for attachment to the terminal
Order number	DL-CMEMT70119300

5. ANTENNAS

5.1. Integrated and remote solutions

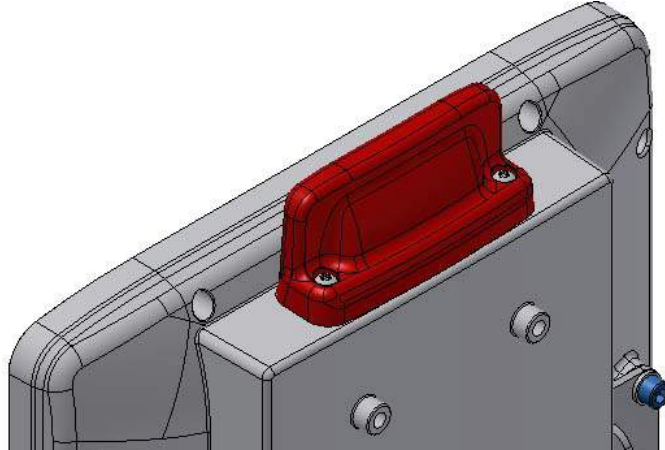
The antenna is a critical technical component for ensuring a stable radio link. Especially in challenging industrial environments such as warehouses and production facilities, there are no easy solutions with regard to wave propagation. No off-the-rack solution will work here and this is why Advantech-DLoG offers custom solutions.

Our **integrated antennas** are matched as perfectly as possible to the respective vehicle terminal and achieve an optimal circular radiation characteristic. The protective cap ensures high mechanical stability and protects the antenna from damage.

Solid driver cabs can significantly interfere with the radio link. For this application, we recommend so-called **remote antennas**, which are not attached directly to the vehicle terminal but rather on the vehicle roof, for example. They have better reception at this location.

To facilitate these types of configurations, Advantech-DLoG offers remote antennas from selected manufacturers. When selecting the remote antennas, we take a range of factors into account to ensure that they are optimally matched to our terminals and to the respective customer application. This includes technical data such as radiation characteristics and efficiency.

5.2. Integrated Low Profile Wi-Fi antenna with diversity



Technical data / Order number	
Application	Dual Band Diversity antenna for Wi-Fi frequency bands IEEE 802.11 a/b/g/n
Number of antennas	2
Type	Omnidirectional antenna
Directionality	Optimized for the DLT-V72 housing
Frequency range	Band 1: 2400 to 2485 MHz Band 2: 5150 to 5875 MHz
Antenna gain	Max. 5 dBi (without loss through the cable)
Impedance	50 Ω
Polarization	Vertical / Horizontal
Order number antenna red	DL-WFAK79377500
Order number antenna grey	DL-WFAK79377600

5.3. External Wi-Fi antenna kit, remote



Technical data / Order number	
Application	Dual Band antenna for Wi-Fi frequency bands IEEE 802.11 a/b/g/n
Mounting location	For remote installation, e.g. on the roof of the forklift
Number of antennas	1
Type	Omnidirectional antenna
Frequency range	Band 1: 2400 to 4900 MHz Band 2: 4900 to 6000 MHz
Antenna gain	Band 1: Max. 4 dBi ((without loss through the cable) Band 2: Max. 6,5 dBi ((without loss through the cable)
Impedance	50 Ω
Polarization	Vertical / Horizontal
Dimensions	\varnothing 86 x 43 mm (\varnothing 3,39" x 1,69")
Weight	0,3 kg (0,66 lbs)
Delivery contents	3 m antenna cable and mounting set
Connector labeling	N-Type or TNC N,Jack, female, bottom RSMA plug for RSMA socket on the terminal
Order number	DL-WFAK70277200

5.4. External GPS receiver



Technical data / Order number	
Application	<p>With the optional GPS receiver the DLT-V6210 can be used for GPS navigation. The GPS receiver has an integrated antenna for position data of the Global Positioning System (GPS) and communicates with the DLT-V6210 via USB interface.</p> <p>Installation information is included with the GPS receiver.</p>
Technology	<p>Detects the signals of up to 50 satellites simultaneously</p> <p>u-blox 6 GPS SuperSense® high performance chipset</p> <p>Supports GPS and GALILEO, AGPS, WAAS, EGNOS and MSAS</p> <p>Supports NMEA 0183 protocols: GGA, GSA, GSV, RMC, VTG</p> <p>IPX6 protection class</p> <p>LED indicator for displaying the GPS status</p> <p>Operating temperature: -20 up to +60 °C</p>
Type	RHCP
Frequency range GPS	L1 frequency 1575.42 MHz
Delivery contents	USB cable, cable length: 1.50 m
Order number	96DLMOGP66333001